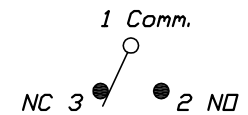
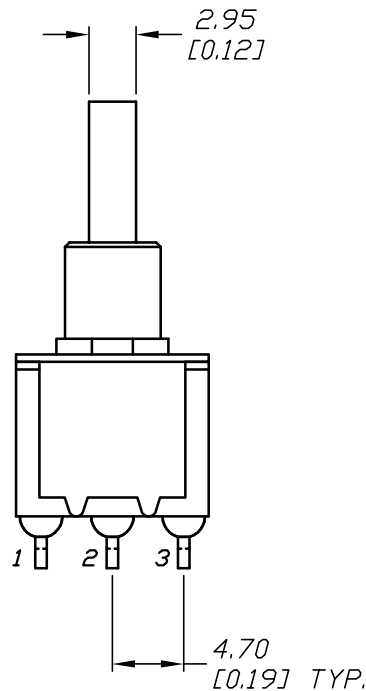
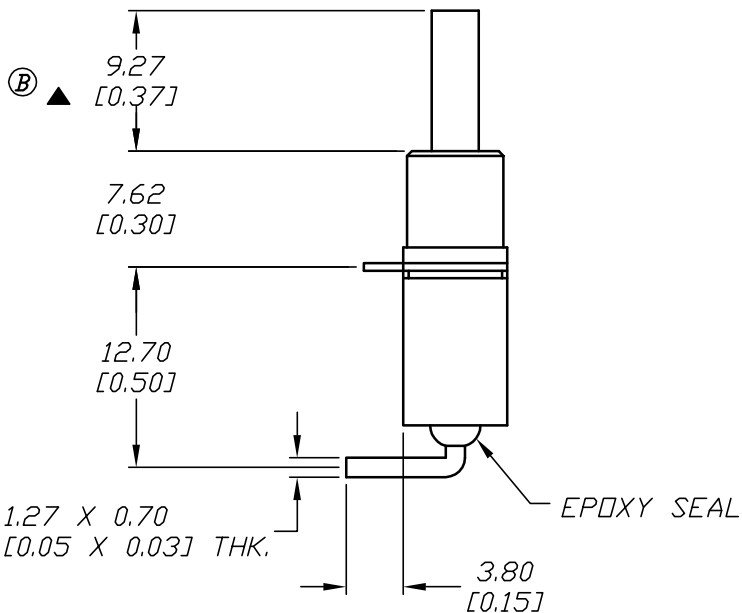


RECOMMEND P.C.B. LAYOUT



CIRCUIT: SPDT

CONTACT CONFIGURATION

DN	(DN)
1-3	1-2

()=Momentary

NOTES:

1. ALL DIMENSIONS IN MM [IN]
2. GENERAL TOLERANCE: 0.00=±0.40, 0.00=±0.25
3. TERM. NOS. FOR REF ONLY
4. RATING: 0.40 @20VAC, 0.40 @20VDC MAX
5. ▲ DESIGNATE MAJOR DIMENSION

E-SWITCH®

B	11002	PLUNGER: 9.27 WAS 9.28	10/11/00	PML
A		RELEASED FOR PRODUCTION	10/05/00	PML
REV.	ECN No.	DESCRIPTION	DATE	CHKD

TITLE				
700 SP-7 B20 M6 R E W/9.27 PLUNGER				
SCALE	DATE	DR	DWG	REV
2:1	10/05/00	PML	T711027	B

THE INFORMATION CONTAINED IN THIS DOCUMENT IS PROPRIETARY TO E-SWITCH AND IS NOT TO BE COPIED OR TRANSFERRED